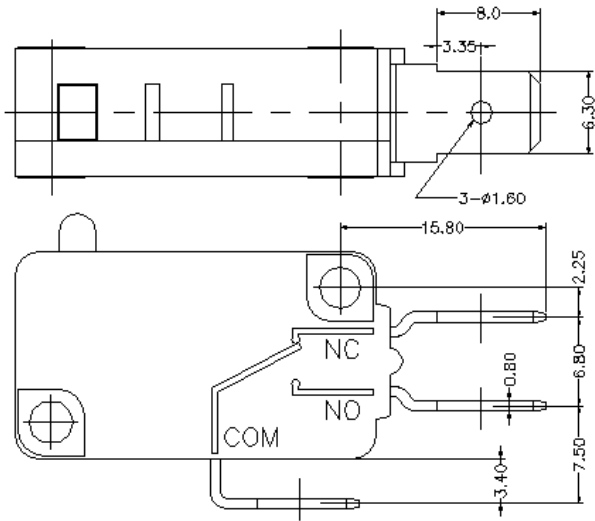


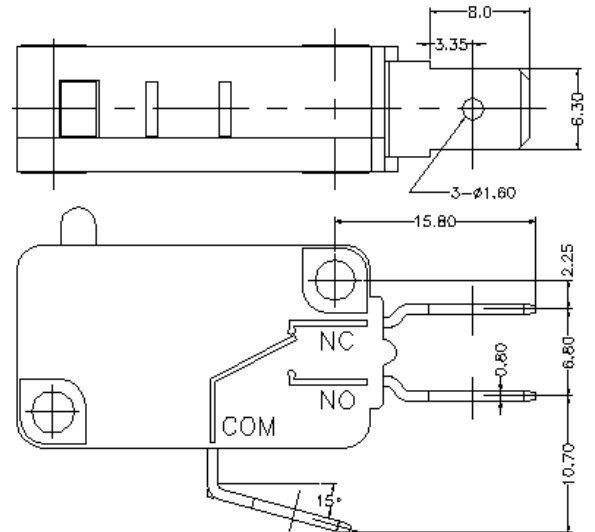


# Standard Terminals

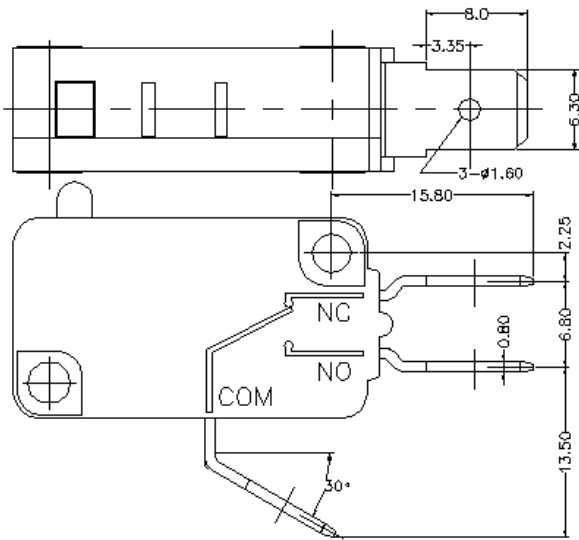
A: 6.3x0.8 terminals



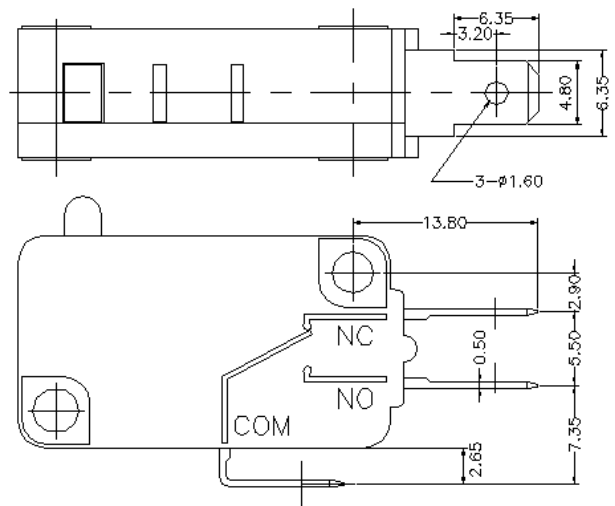
J: 6.3x0.8 terminals



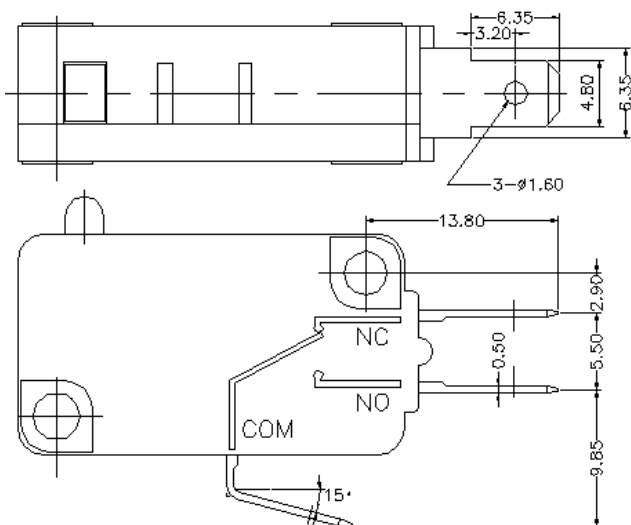
K: 6.3x0.8 terminals



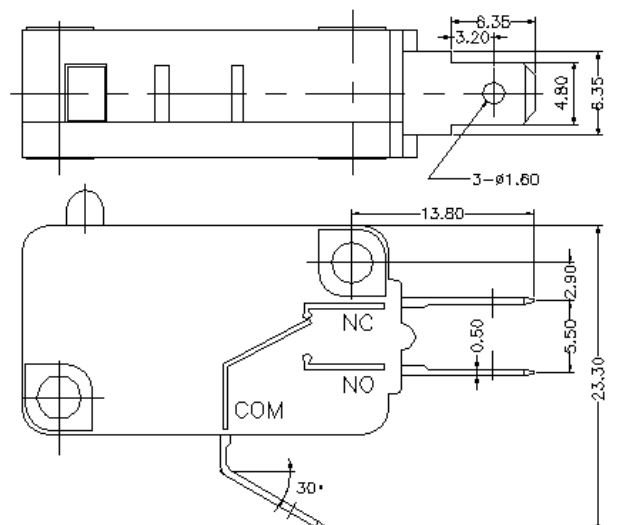
B: 4.8x0.5 terminals



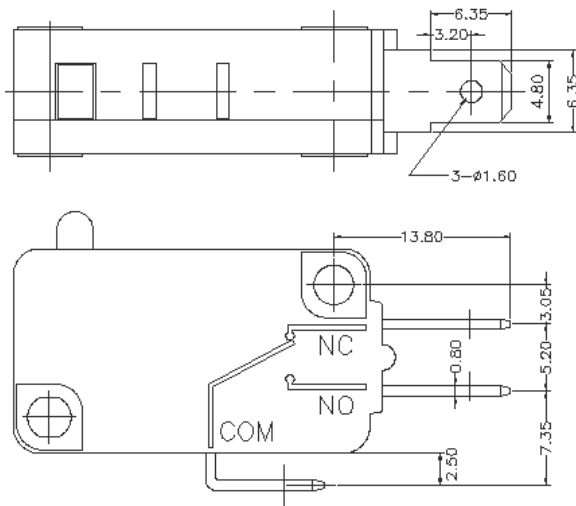
H: 4.8x0.5 terminals



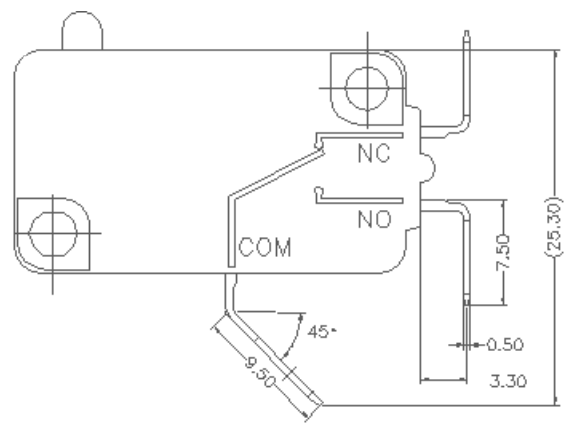
M: 4.8x0.5 terminals



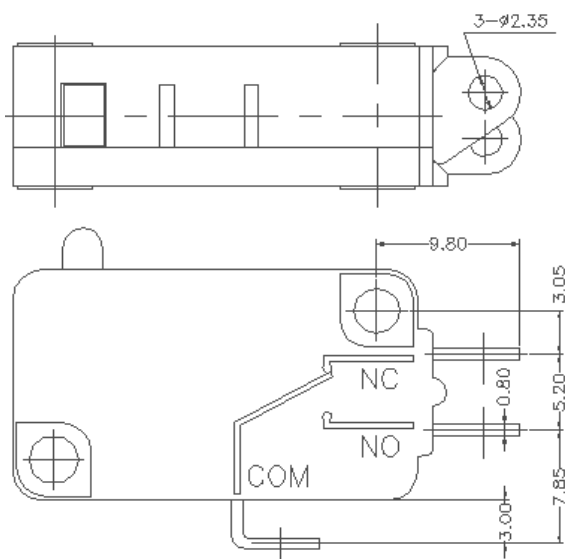
S: 4.8x0.8 terminals



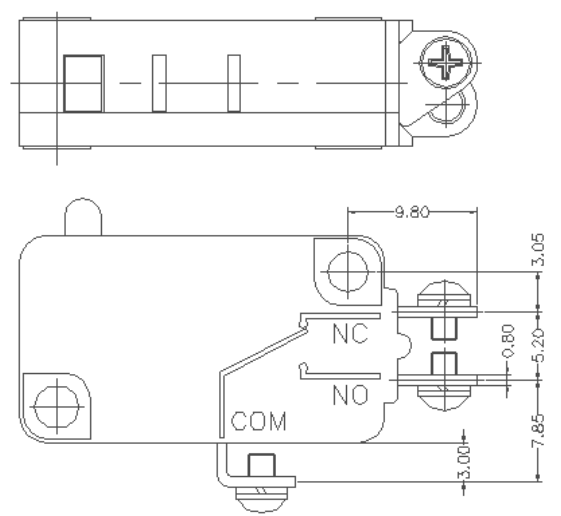
T: 4.8x0.5 terminals



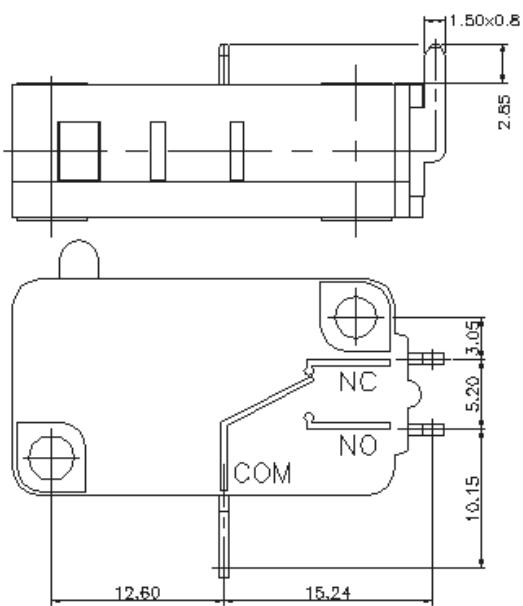
C: Solder Terminals



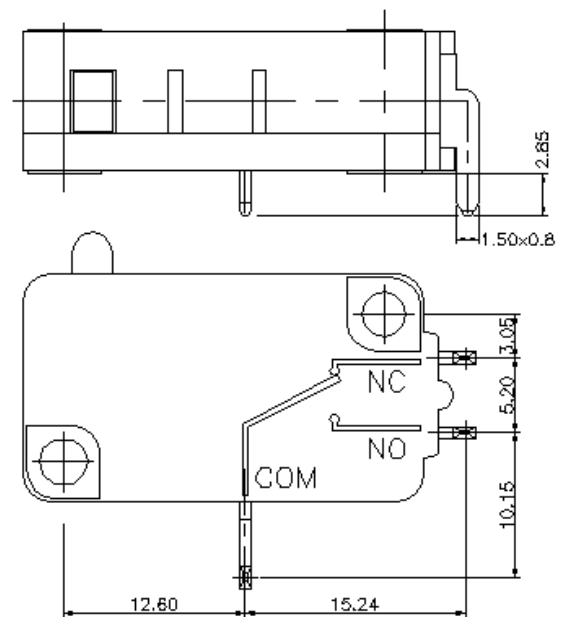
D: Screw Terminals



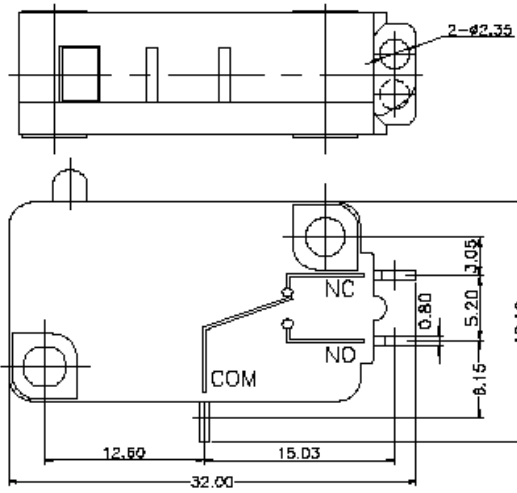
P: PCB Terminal - Right



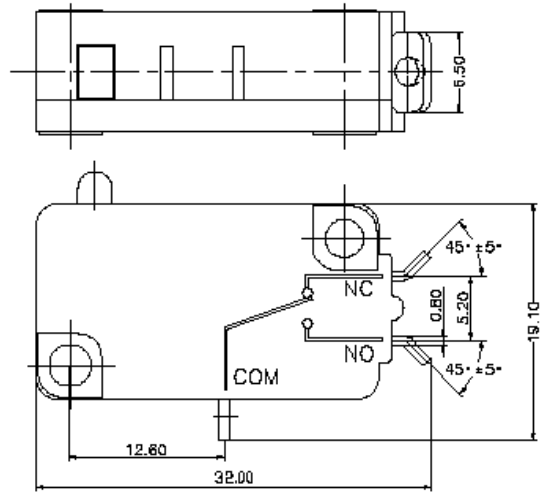
Q: PCB Terminal - Left



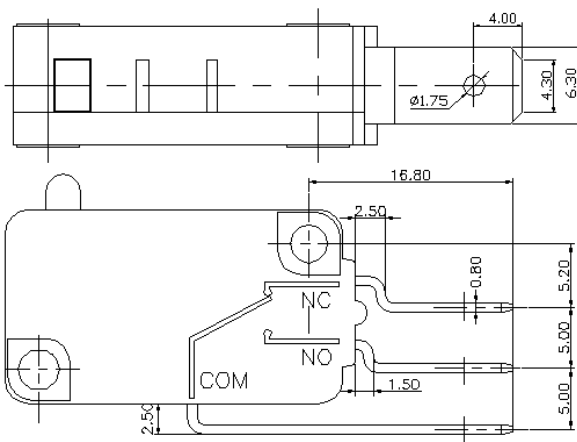
U: Ultra Short Solder Terminals



V: Bent Ultra Short Solder Terminals



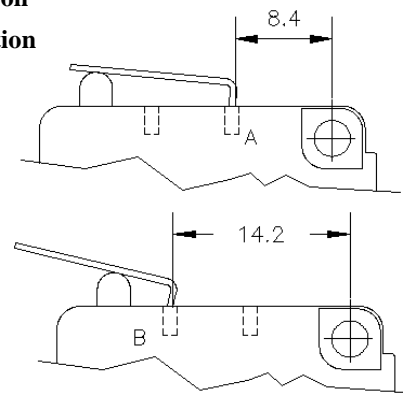
R: 6.3x0.8, RAST-5 terminals



Lever Positions

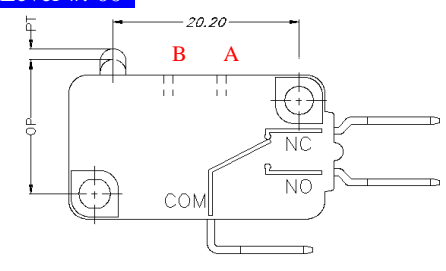
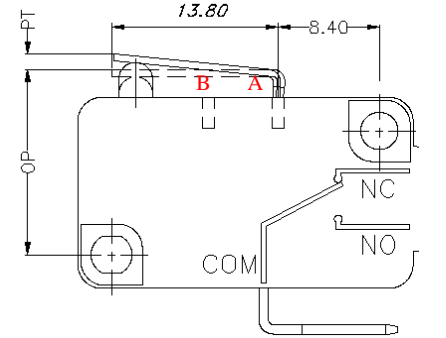
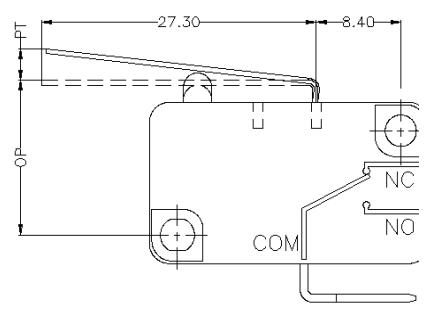
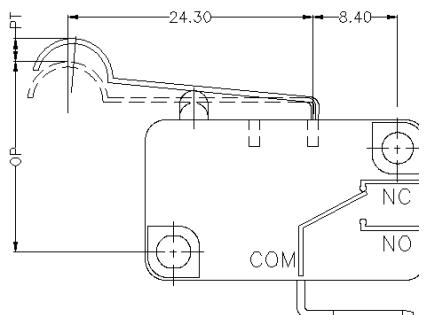
A= standard position

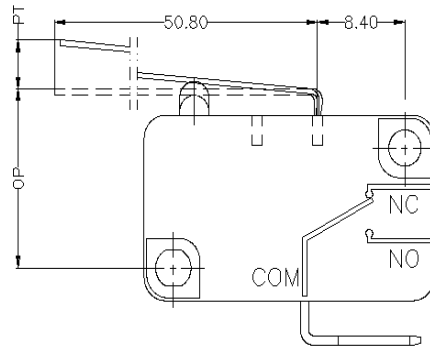
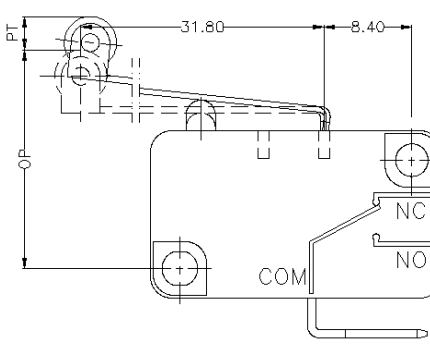
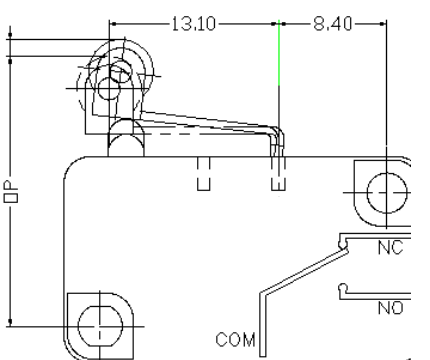
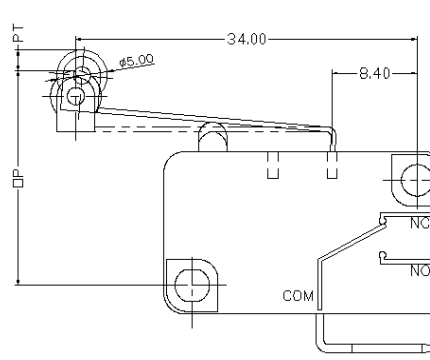
B= high ratio position



**Standard Levers for MQS-2xx & E series Basic Switches**

(All dimensions in [mm], force in gram)

Lever Type	Lever position	Op. force(gf)	RF (min)	OP	PT (max)	OT (min)	MD (max)
<b>Lever #: 00</b> 	-	K: 55 ± 15	10	14.7±0.5	1.2	1.25	0.40
		L: 100 ± 25	20				
		M: 160 ± 30	50				
		N: 200 ± 30	55				
		P: 350 ± 50	80				
<b>Lever #: 01</b> 	A	K: 55 ± 15	10	15.3±0.5	1.6	1.5	0.5
		L: 100 ± 25	20				
		M: 160 ± 30	50				
		N: 200 ± 30	55				
		P: 350 ± 50	80				
	B	K: 30 ± 15	10	15.3±1.1	3.0	2.4	0.75
		L: 50 ± 15	15				
		M: 80 ± 20	30				
		N: 100 ± 20	40				
		P: 175 ± 30	50				
<b>Lever #: 02</b> 	A	K: 30 ± 15	10	15.3±1.5	3.3	2.5	1.2
		L: 50 ± 15	15				
		M: 75 ± 20	30				
		N: 95 ± 20	40				
	B	P: 170 ± 30	50	15.3±2.3	6.0	4.8	1.65
		K: 20 ± 8	5				
		L: 30 ± 10	10				
		M: 40 ± 15	15				
		N: 50 ± 15	20				
P: 85 ± 20	30						
<b>Lever #: 03</b> 	A	K: 30 ± 15	10	18.7±1.5	2.8	2.4	1.1
		L: 55 ± 15	15				
		M: 85 ± 20	30				
		N: 105 ± 20	40				
	B	P: 180 ± 30	50	18.7±2.1	5.5	4.1	1.6
		K: 20 ± 8	5				
		L: 30 ± 10	10				
		M: 45 ± 15	15				
		N: 55 ± 15	20				
P: 100 ± 25	30						

Lever Type	Lever position	Op. force (gf)	RF min	OP	PT (max)	OT (min)	MD (max)
<b>Lever #: 04</b> 	A	K: $12 \pm 5$	4	15.3±2.5	6.5	4.4	2.2
		L: $25 \pm 10$	8				
		M: $40 \pm 15$	15				
		N: $50 \pm 15$	20				
		P: $85 \pm 20$	30				
	B	K: $7 \pm 5$	2	15.3±4.3	11.5	8.3	3.5
		L: $15 \pm 8$	5				
		M: $20 \pm 8$	8				
		N: $25 \pm 10$	10				
		P: $55 \pm 15$	15				
<b>Lever #: 05</b> 	A	K: $20 \pm 10$	5	20.7±1.5	3.7	3.3	1.3
		L: $40 \pm 15$	10				
		M: $60 \pm 15$	25				
		N: $75 \pm 20$	30				
		P: $140 \pm 30$	45				
	B	K: $12 \pm 5$	4	20.7±2.2	7.5	5.5	2.4
		L: $20 \pm 10$	8				
		M: $35 \pm 15$	12				
		N: $40 \pm 15$	15				
		P: $80 \pm 20$	25				
<b>Lever #: 12</b> 	A	K: $55 \pm 15$	10	20.7±0.5	1.6	1.5	0.5
		L: $100 \pm 25$	20				
		M: $160 \pm 30$	50				
		N: $200 \pm 30$	55				
		P: $350 \pm 50$	80				
	B	K: $30 \pm 15$	10	20.7±1.1	3.0	2.4	0.75
		L: $50 \pm 15$	15				
		M: $80 \pm 20$	30				
		N: $100 \pm 20$	40				
		P: $175 \pm 30$	50				
<b>Lever #: 13</b> 	A	K: $30 \pm 15$	10	20.7±0.5	3.3	2.5	1.2
		L: $50 \pm 15$	15				
		M: $80 \pm 20$	30				
		N: $100 \pm 20$	40				
		P: $175 \pm 30$	50				
	B	K: $20 \pm 8$	5	20.7±2.2	6.0	4.8	1.6
		L: $30 \pm 10$	10				
		M: $40 \pm 15$	10				
		N: $50 \pm 15$	15				
		P: $90 \pm 20$	30				

**Other standard levers**

<p><b>No.#06</b></p>	<p><b>No.#07</b></p>
<p><b>No.#09</b></p>	<p><b>No.#10</b></p>
<p><b>No.#16</b></p>	<p><b>No.#17</b></p>
<p><b>No.#08</b></p>	<p><b>No.#18</b></p>
<p><b>No.#11</b></p>	

**Note:** Please contact Molveno OEM Service or her representatives for more levers