

# MQS-1 Sub-miniature Switch

## Specifications

Model Ref.	Temp.	UL/VDE Ratings	Endurance (min)
MQS- 1	40T85	5A 125/250VAC (UL) 3A 250VAC (VDE)	50,000 cycles
MQS-14	40T125	10(2)A 125/250VAC	10,000 cycles
MQS-15	40T85	10(2)A 125/250VAC	10,000 cycles
MQS-16	40T125	0.1A 125/250VAC	50,000 cycles
MQS-17	40T85	0.1A 125/250VAC	50,000 cycles
MQS-18	40T125	5A 125/250VAC	50,000 cycles
MQS-19	40T85	5A 125/250VAC	50,000 cycles
MQS-11	40T85	0.2A/48V DC *	500,000 cycles
MQS-1D	40T85	3A/24VDC *	100,000 cycles
MQS-1E	40T125	3A/24VDC *	100,000 cycles
Mechanical Life:		1,000,000 cycles	
Insulation Resistance:		100 MΩ min.	
Dielectric Strength:		1000VAC for 60 +/- 5 sec	
Housing:		UL 94V0 Thermoplastic	



Ordering qty: 200pcs  
Switch with lever: 1000pcs

## Ordering Instructions

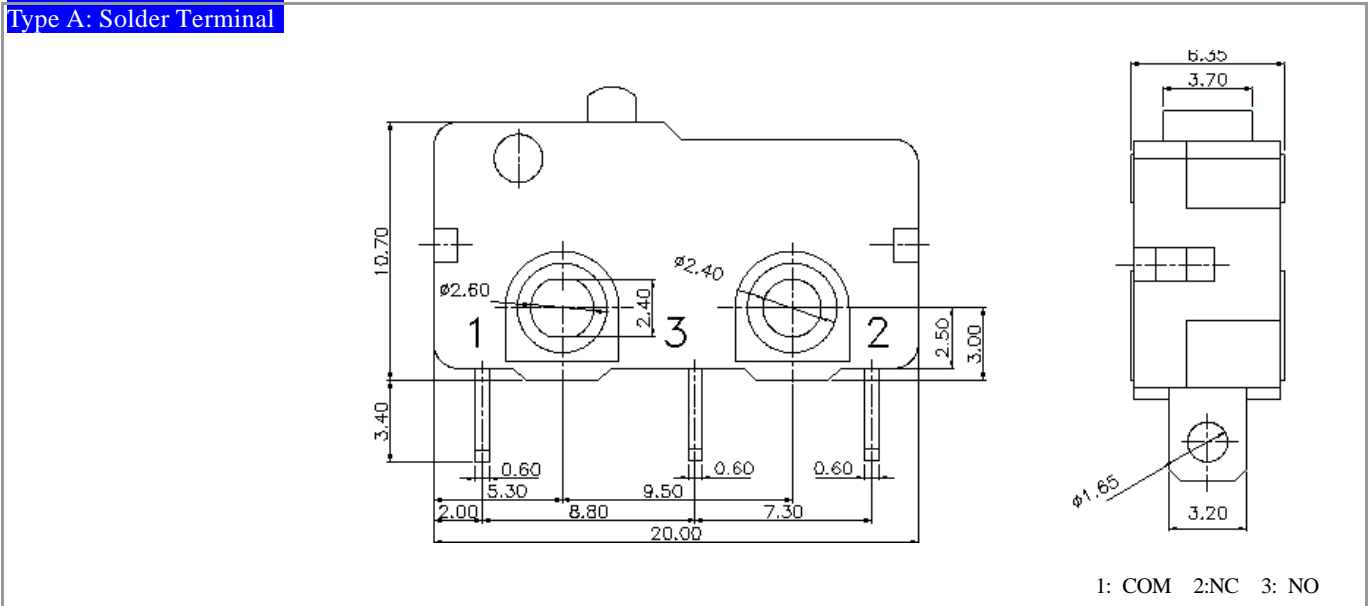
**MQS-14    A    P    F2    01    -    S    01**

Type Ref.	Circuitry	Terminals Type	Op. force	Lever Type	Contact Plating	Versions
A=SPDT	P=PCB terminals (straight)	F1	01, 02, 03 .99	S= Std. Silver	Standard: 01	
B=SPST -NC	A= Solder terminals	F2	B1, B2, B3 .ZZ	G= Gold over silver.	Custom-made: 02, 03 ...	
C=SPST -NO	B= PCB terminal (right bent)	F3	etc.	(other spec: A, B, C ..)	(Default: 01)	
	C= PCB terminal (left bent)	F4	(no lever: 00)			
	D= Quick Connect terminals					

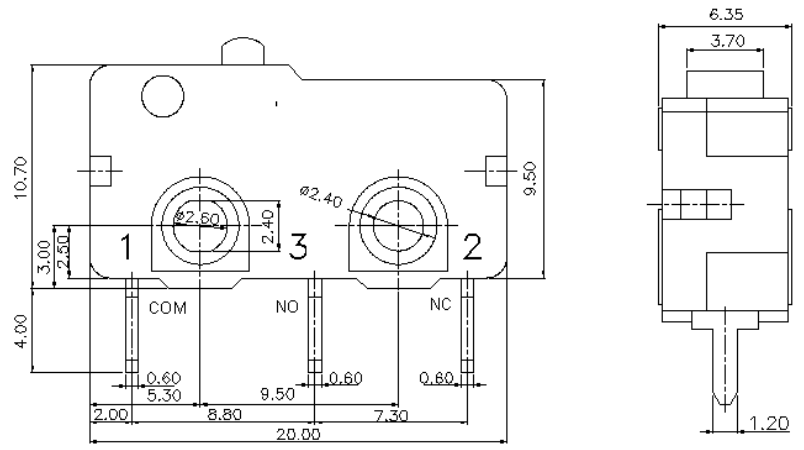
\* MQS-14/MQS-15: only F4 is available  
\* MQS-11/1D/1E: Low voltage devices, no UL/VDE marks

## Terminal Types

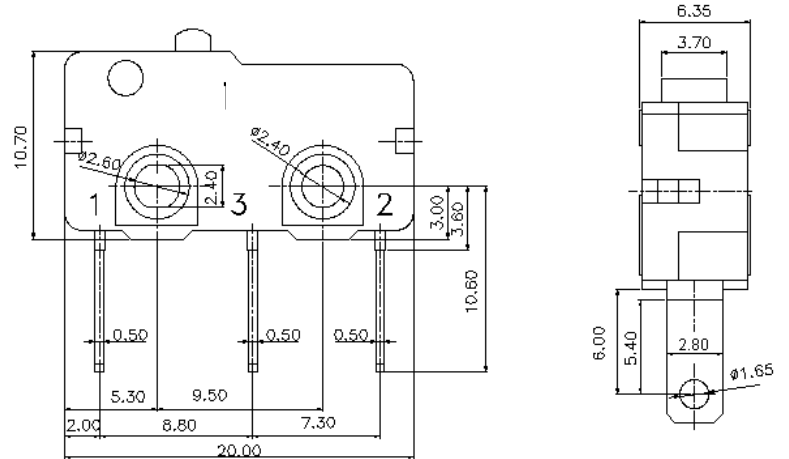
Type A: Solder Terminal



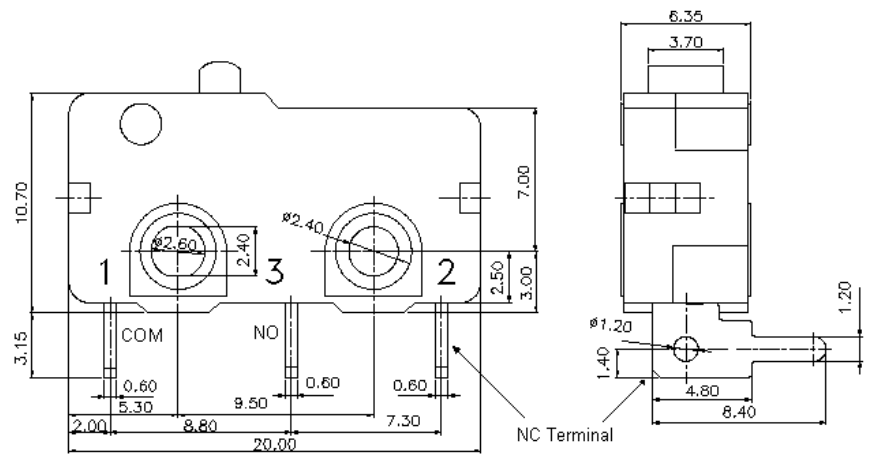
Type P: PCB Terminal



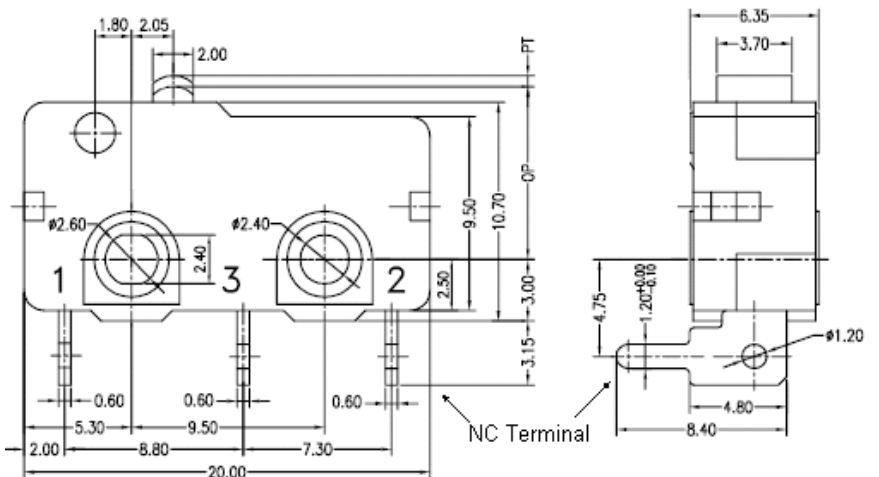
Type D: Quick Connect Terminal



Type B: PCB Terminal (Right Bent)



Type C: PCB Terminal (Left Bent)



Proprietario  
<http://www.toneluck.com>  
[microswitch@toneluck.com](mailto:microswitch@toneluck.com)

Proprietario  
TONELUCK MICRO

