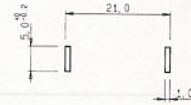
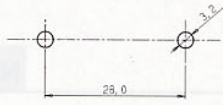




MOS



R

2

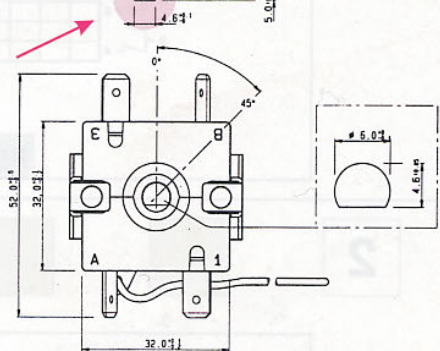
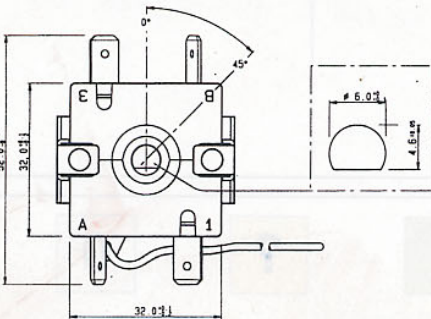
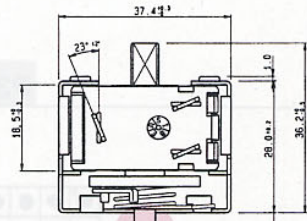
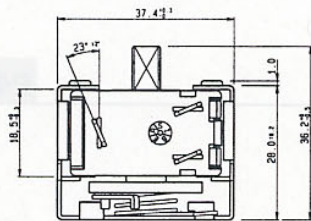
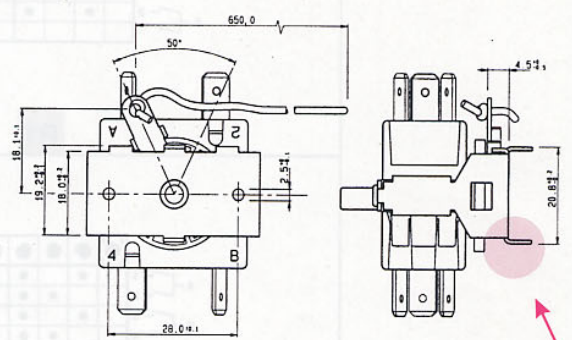
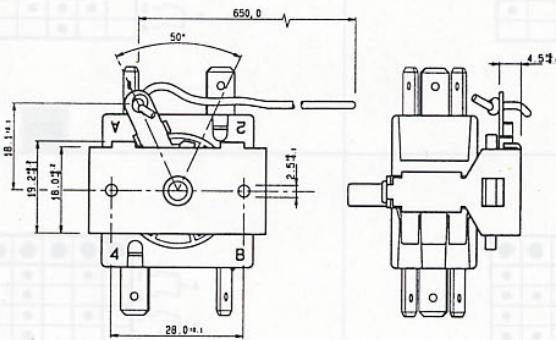
?



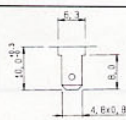
0

0

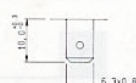
0



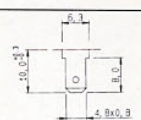
1



2



3



4

R

2



?

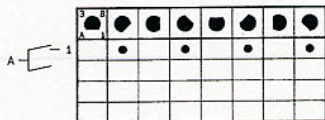
?



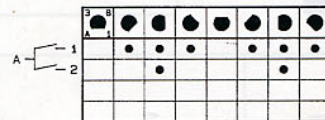
0

0

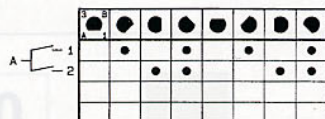
0



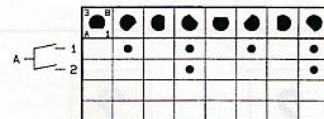
N1



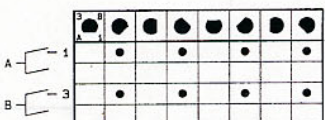
N2



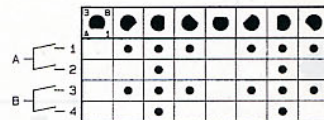
N3



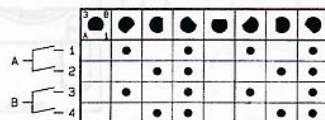
N4



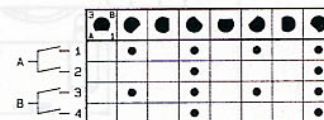
P1



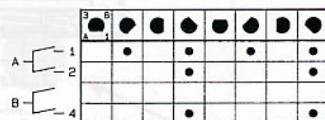
P2



P3



P4



P5

R

2



?

0

0

0



12A-3(3)A/250V~

T125 °C

13A/125VAC  
T55 °C

1

12A-3(3)A/250V~

T125 °C

10A/125VAC  
T120 °C

2

12A-3(3)A/250V~  
6(1)A/250V -5E4  
T125 °C

13A/125VAC  
T55 °C

3