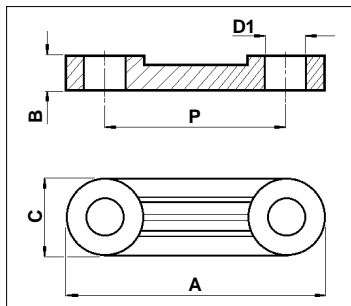
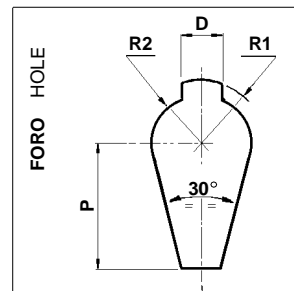
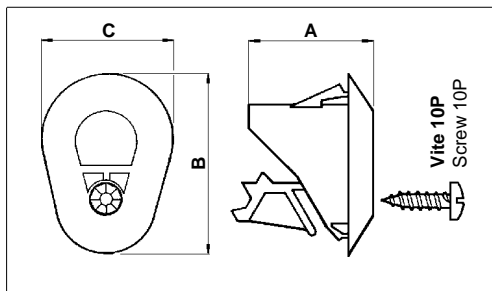
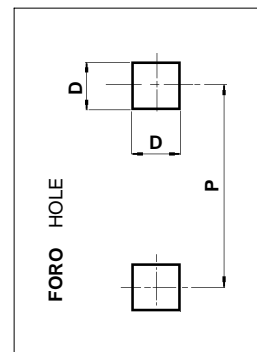
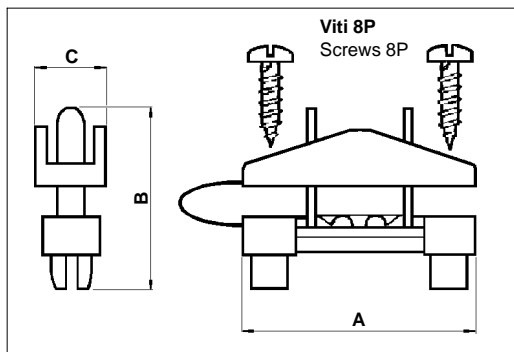


SERRACAVI

CABLE CLAMPS


Tipo 1 Type 1

Tipo 2 Type 2

Tipo 3 Type 3

NOTE
NOTES

Dc = Diametro massimo del cavo
Dc = Max. cable diameter

CODICE P/N	Tipo Type	DIMENSIONI SIZES				PANNELLO PANEL					Dc	CONF. PKG. pz. pcs.
		A	B	C	D1	D	R1	R2	P	Sp./Th.		
0469 BB01 XS	1	23	3	7	4,2				16			1.000
3022 BB01 XS	1	25	3	7	4,2				17			1.000
1207 BB01 XS	1	26	3	7	4,2x6				14,5 - 18			1.000
4807 AB01 XS	1	26	3	7	4x6				14,5 - 18			
0003 AA01 XS	2	26	37,5	27		6,5	10,5	8,2	20	0,6 - 1,5	6 - 12	1.500
0004 AA01 XS	2	26	40	29,5		6,5	11,75	9,5	21,5	0,6 - 1,5	7 - 15,5	2.000
0007 AA00 XS	3	40	31	12		7			31		Max 14	500

Tutte le quote sono in mm. / All the dimensions are in mm.