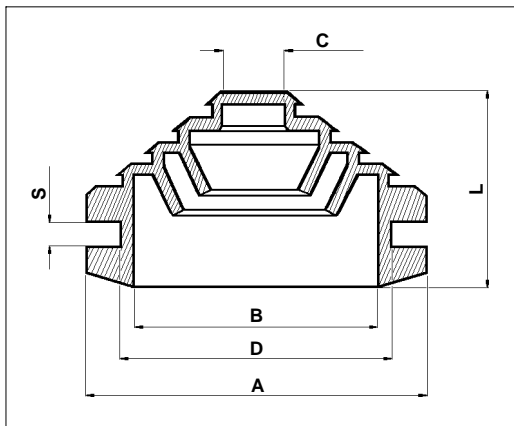


PASSACAVI CABLE BUSHINGS

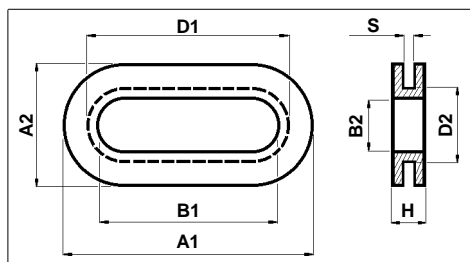


● MATERIALE : PVC
MATERIAL : PVC

CODICE P/N	DIMENSIONI SIZES						NOTES NOTES	CONF. PKG. pz. pcs.
	A	B	C	D	L	S		
4388 CA01 MS	26	19	5	21	15	2		1.000
4522 CA01 MS	37	28	5	32	15	5		1.000

Tutte le quote sono in mm. / All the dimensions are in mm.

PASSACAVI CABLE BUSHINGS



● MATERIALE : PVC
MATERIAL : PVC

CODICE P/N	DIMENSIONI SIZES								NOTES NOTES	CONF. PKG. pz. pcs.
	A1	A2	B1	B2	D1	D2	H	S		
2425 CA01 XS	35	14	31	10	34	13	5	1		1.000
2426 CA01 XS	69	32	55	18	59	22	7	2		1.000
2427 CA01 XS	74	32	62	20	66	22	7	2		1.000
2428 CA01 XS	77	33	63	19	69	25	7	2		1.000

Tutte le quote sono in mm. / All the dimensions are in mm.