

# MQS-1s Sub-miniature Switch

## Specifications

Ratings:	3A/250VAC    UL/VDE 5A/125VAC    UL/VDE
Electrical Life:	50,000 cycles min.
Mechanical Life:	1,000,000 cycles
Operating Temp:	-25° C ~ +85° C
Insulation Resistance:	100 MΩ min.
Dielectric Strength:	1000VAC for 60 +/- 5 sec
Housing:	Thermosetting Plastic
Proof Tracking Index:	175V
Contacts:	Silver Alloy (standard) Gold plated



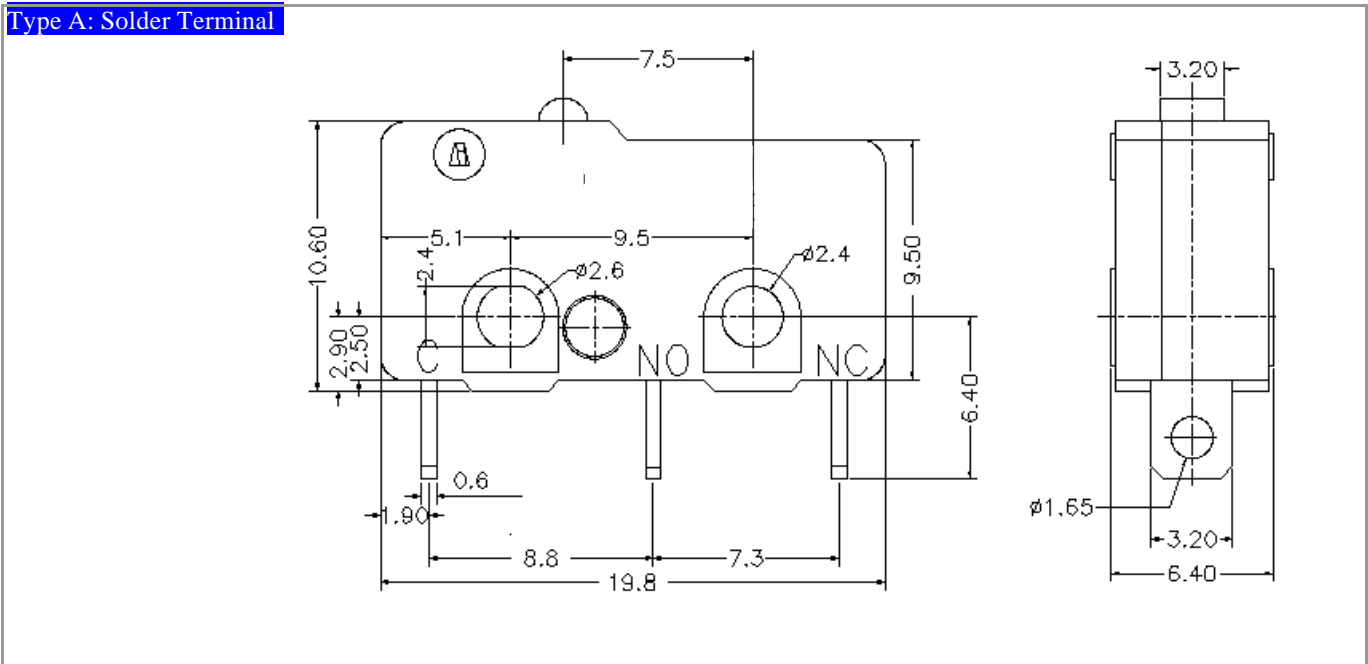
Order quantity: 200pcs  
Switch with lever: 1000pcs

## Ordering Instructions

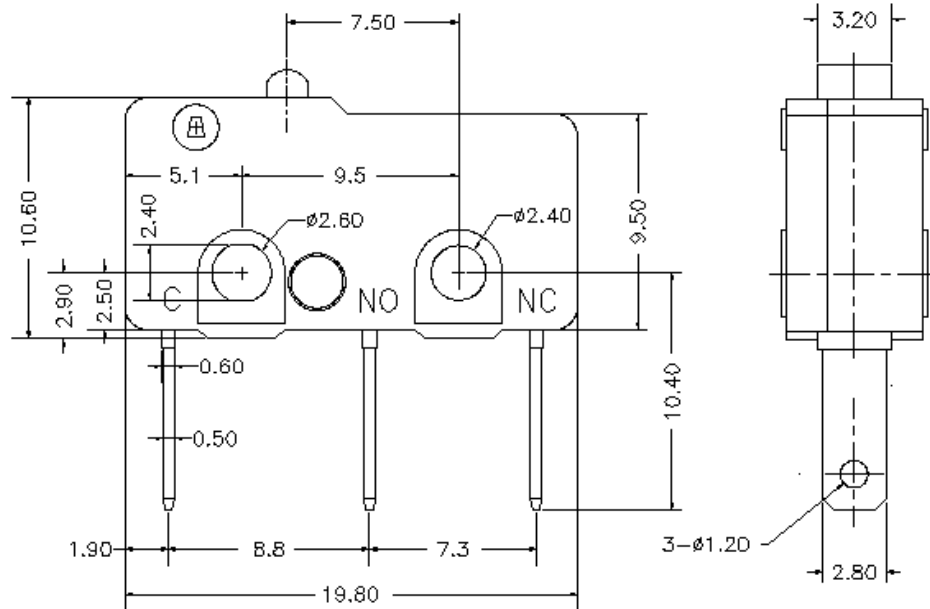
<b>MQS-1s</b>	<b>A</b>	<b>P</b>	<b>F1</b>	<b>01</b>	-	<b>S</b>	<b>01</b>
<u>Circuitry</u>	<u>Terminals Type</u>	<u>Operating Force</u>		<u>Lever Type</u>		<u>Contact</u>	<u>Versions</u>
A=SPDT	A= Solder terminals	F1		01, 02, 03 .99		S= Silver	Standard: 01
B=SPST -NC	D= Quick Connect terminals	(only F1 available)		B1, B2, B3 ..ZZ		G= Gold	Custom-made:
C=SPST -NO				(00 = no lever)			02, 03, 04 ... (Default: 01)

## Terminal Types

### Type A: Solder Terminal

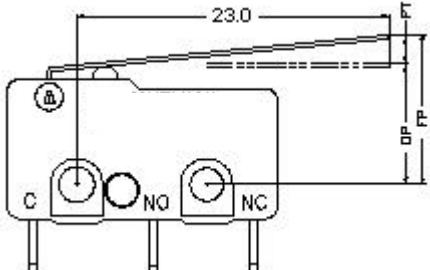
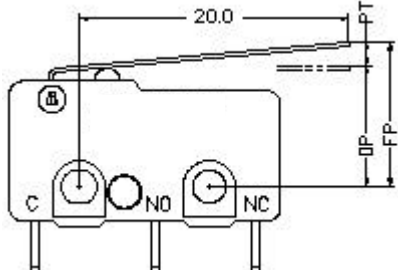
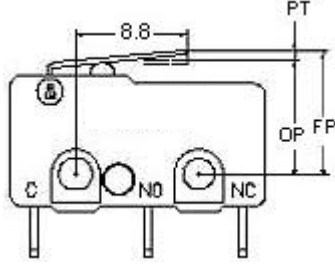
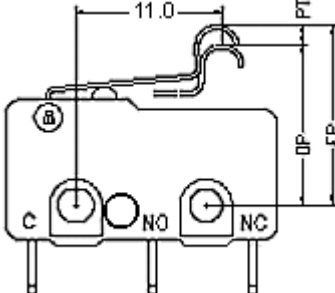
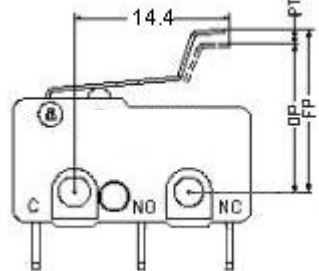


Type D: Quick Connect Terminal



Standard Levers

Lever Type	Dimensions	OF (gf)	RF (gf) Min	OP mm	PT mm	OT mm	MD(mm) Max	FP(mm) Max
00		48 +/- 12gf	20	8.4 ± 0.5	0.5 max	0.3	0.1	12.0
01		11 ± 5	3	9.5 ± 1.0	1.9	1.2	0.8	11.8
02		12 ± 5	4	9.5 ± 1.0	1.3	1.2	0.8	11.5

Lever Type	Dimensions	OF (gf)	RF (gf) Min	OP mm	PT mm	OT mm	MD(mm) Max	FP(mm) Max
03		8± 5	2	9.5 ± 1.5	2.6	1.5	0.8	12.5
04		10± 5	2	9.6 ± 1.5	2.3	1.5	0.8	12.2
05		20± 10	6	9.1 ± 0.5	1.2	1.0	0.4	10.6
06		17± 7	5	12.8 ± 1.0	1.3	1.0	0.8	14.5
07		12± 6	3	13.2± 1.0	1.7	1.2	0.8	15.1

**Note:** for custom-made or more levers, please contact Molveno OEM Service or her sales representatives.