

6

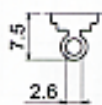
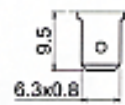
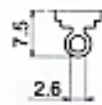
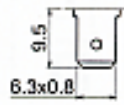
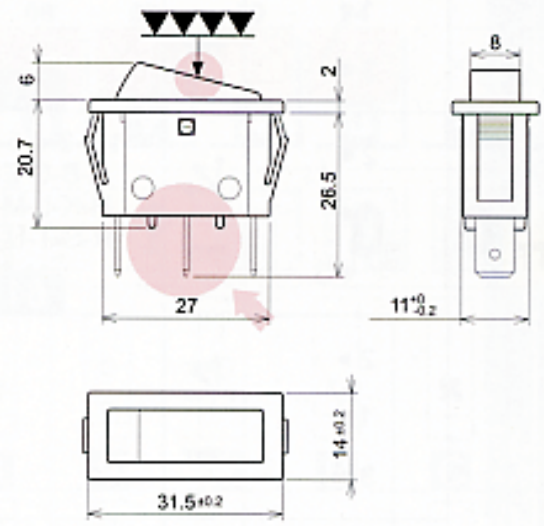
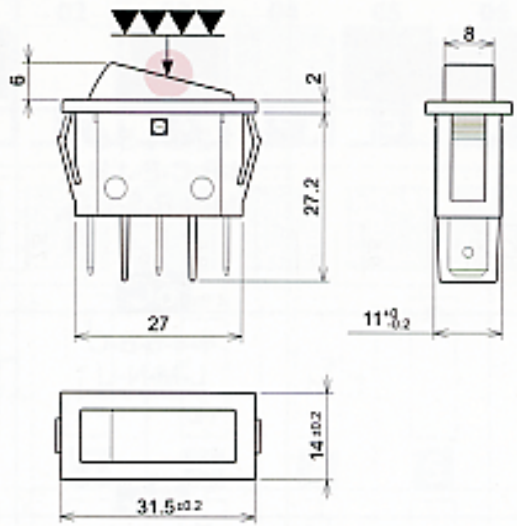
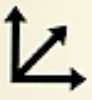
T

U

7

W

Z



2

E

8

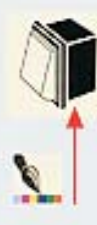
J





**B****1****?****?****0****0****0**

		1-2-4-6-8-A-B-C E-J-L-M-N-T-U 11		1-2-4-6-8-B-C E-J-L-M-N-U 1C	
		1-2-4-6-8-A-B-C E-J-L-M-N-T-U 31		1-2-4-6-8-B-C E-J-L-M-N-U 3C	
				1-2-4-6-8-B-C E-J-L-M-N-U 4C	
		1-2-4-6-8-A-B E-J-L-M-T-U 51		1-2-4-6-8 B-E-J-M-U 5C	
		1-2-3-4-5-6-7-8 A-B-C-E-G-J H-K-L-M-N-P R-S-T-U-W-Z 61		1-2-3-4-5-6-7 8-B-C-E-J-H-K M-N-R-S-U-Z 6C	1-2-3-4-5-6-7-8 B-C-E-J-H-K M-N-R-S-U-Z 6D
				1-4-6-B-C L-M-N-U BC	
		1-4-6-A-B L-M-T-U C1	1-4-6-B-M-U C4		
		1-4-6-A-B L-M-T-U D1	1-4-6-B-M-U D4		
		4(1)A/250V~ 2(0.5)A/250Vac -5E4 T120/55°C	16A/250V~ 10A/250Vac -5E4 T120/55°C 10A/125-250Vac 1/3HP-125Vac 1/2HP-250Vac T65°C	16(6)A/250V~ 10(4)A/250Vac -5E4 T120/55°C 20A/125Vac 16A/250Vac 1/3HP-125Vac 3/4HP-250Vac T65°C	20A/125Vac 1/3HP-125Vac T65°C

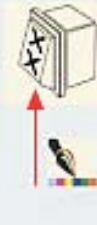




B	1				?					0	0	0
51	52	57	61	75	71	65	90	54	77			
I	2	3	4	5	6	8	9	A	Z			


B	1					?				0	0	0
51	52	57	61	75	71	65	90	54	652	77		
I	2	3	4	5	6	8	9	A	B	Z		
151	152	153	155	154	150							
G	H	E	L	K	F							



B	1						?			0	0	0
01	02	03	04	05	06	07	08	09	10	14		
												?
I	2	3	4	5	6	7	8	9	A	B	0	X



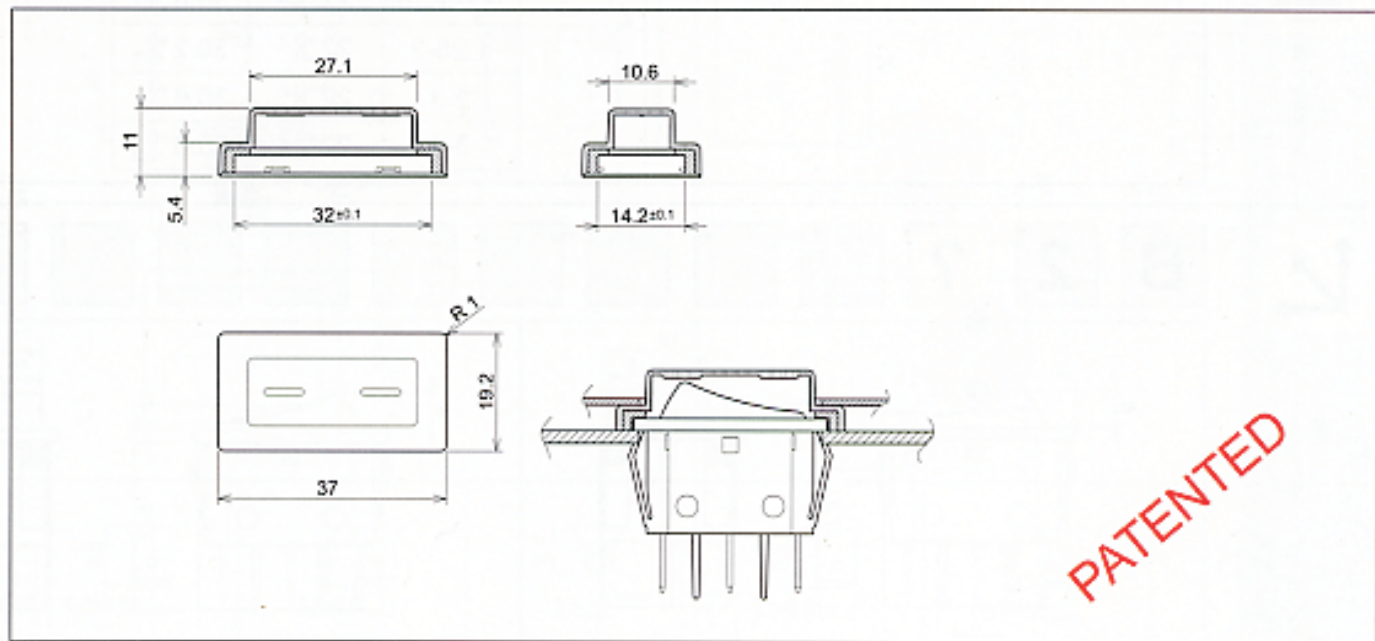
B	1							?		0	0	0
1	2	3	4	5	7	8	9	A	B	C	D	
												?
E	F	H	J	K	L	N	P			0	X	



B	1								?	0	0	0
151	152	153	155	154	150							
G	H	E	L	K	F							0

A

B 1 P R T ?



0 1 B 1

